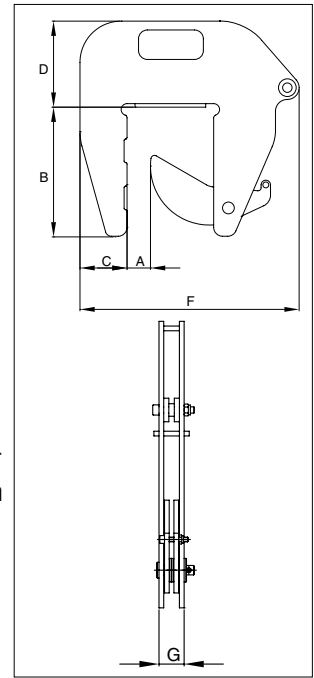


IPCC



For Lifting and Transferring Concrete Pipe Sections and Wells

- Available in capacity of 1 metric tons (higher Working Load Limits are available upon request).
- Jaw opening available: 40 - 140mm.
- Welded alloy steel body for strength and smaller size. Forged alloy, components where required.
- Equipped with handle for easy placement.
- Individually Proof Tested to 2 times the Working Load Limit with certification.
- Company name (Crosby IP), logo, Working Load Limit and jaw opening permanently stamped on body.
- Each product is individually serialized, with the serial number and Proof Load test date stamped on body. User manual with test certificate is included with each clamp.
- Maintenance replacement parts are available.



Load Rated

Model IPCC

Model	Working Load Limit Per Pair (t)*	Stock No.	Weight Each (kg)	Dimensions (mm)					
				Jaw A	B	C	D	F	G
IPCC	1	2700037	9.2	40-140	225	80	146	372	37

* Design Factor based on EN 13155 and ASME B30.20.

