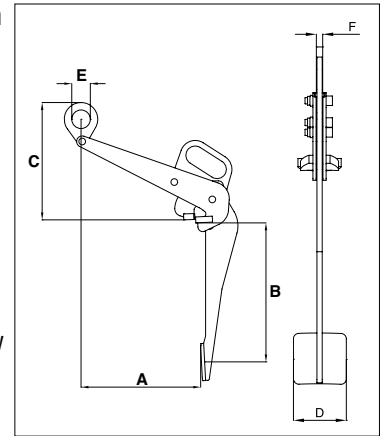


## IPDV



**Designed to lift, move and transfer 50-55 gallon drums with steel tops**

- Available in capacity of .5 metric tons (higher Working Load Limits are available upon request).
- Jaw openings available: IPDV - 300mm and IPVK - 17mm.
- Welded alloy steel body for strength and smaller size. Forged alloy components, where required.
- Individually Proof Tested to 2 times the Working Load Limit with certification.
- Company name (Crosby IP), logo, Working Load Limit and jaw opening permanently stamped on body.
- Each product is individually serialized, with the serial number and Proof Load test date stamped on body. User manual with test certificate is included with each clamp.
- Maintenance and repair kits are available.

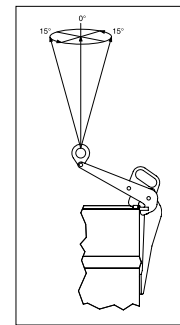


## Model IPDV

Load Tested

Model	Working Load Limit (t)*	Stock No.	Weight Each (kg)	Dimensions (mm)					
				Jaw A	B	C	D	E	F
IPDV	0.5	2700118	7.1	300	375	290	100	50	12

\*Design Factor based on EN 13155 and ASME B30.20.



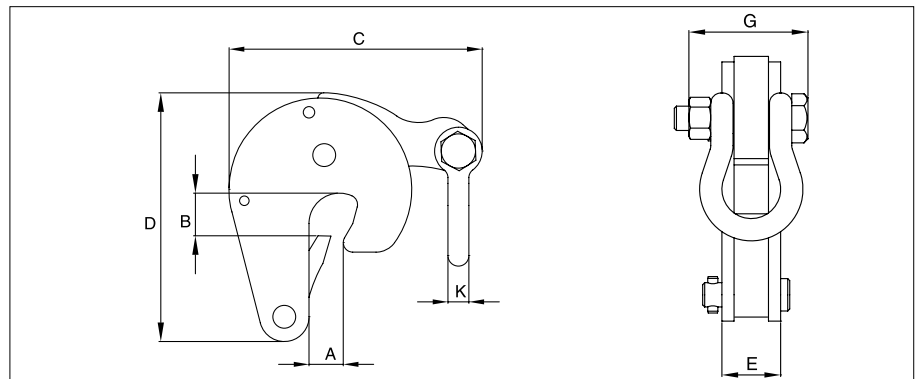
## IPVK



## Model IPVK

Model	Working Load Limit (t)*	Stock No.	Weight Each (kg)	Dimensions (mm)						
				Jaw A	B	C	D	E	G	K
IPVK	0.5	2700116	1.6	0 - 17	26	135	132	29	51	11

\* Design Factor based on EN 13155 and ASME B30.20.



12

