

IPPE10B(E)



For lifting and transporting non-bendable sheet metal in a horizontal position.

- Available in capacities of 3 through 12 metric tons (higher Working Load Limits are available upon request).
- Wide variety of jaw openings available: 0 to 180mm
- Welded alloy steel body for strength and smaller size. Forged alloy components, where required.
- Individually Proof Tested to 2 times the Working Load Limit with certification.
- Company name (Crosby IP), logo, Working Load Limit and jaw opening permanently stamped on body.
- Each product is individually serialized, with the serial number and Proof Load test date stamped on body. User manual with test certificate is included with each clamp.
- Maintenance and repair kits are available.
- IPPE10B: Magnets in foot plate (also applies for D and H Type).
- IPPE10BE: Economic version (also applies for D and H-Type).
- IPPE10BNM: Non-marring (also applies for D and H-Type).

IPPE10BNM



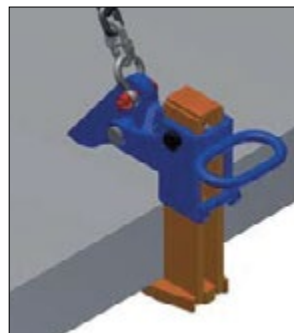
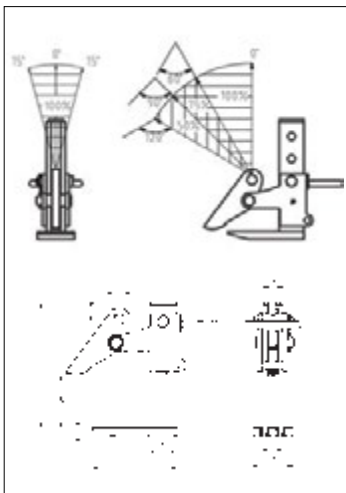
Load Rated

Model IPPE10B / IPPE10BE / IPPE10BNM

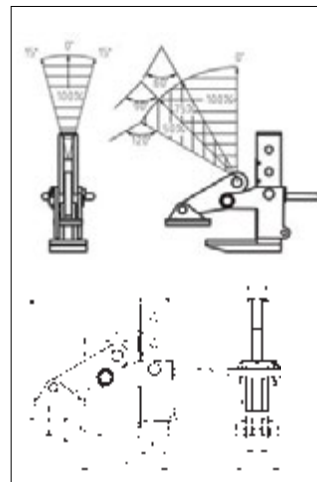
Model	Working Load Limit (Per Pair) (t)*	Stock No.	Weight Each (kg)	Dimensions (mm)									
				Jaw A	B	C	D	E	F	G	H	J	L
IPPE10B	3	2703862	11.5	0-180	204	322	20	26	66	20	100	50	15
IPPE10B	6	2703871	16.3	0-180	220	340	25	30	74	20	140	60	13
IPPE10B	9	2703888	24.8	0-180	248	365	25	34	90	20	190	70	13
IPPE10B	12	2703921	32.7	0-180	252	376	30	40	90	25	200	70	18
IPPE10BE	3	2703863	11.5	0-180	204	322	20	26	66	20	100	50	15
IPPE10BE	6	2703870	16.3	0-180	220	340	25	30	74	20	140	60	13
IPPE10BE	9	2703891	24.8	0-180	248	365	25	34	90	20	190	70	13
IPPE10BE	12	2703924	32.7	0-180	262	376	30	40	90	25	200	70	18
IPPE10BNM	3	2703864	12.4	0-180	204	322	30	26	68	20	100	50	15
IPPE10BNM	6	2703872	17.3	0-180	220	340	35	30	76	20	140	60	13
IPPE10BNM	9	2703894	27.7	0-180	248	365	35	34	92	20	190	70	13
IPPE10BNM	12	2703927	35.2	0-180	262	376	40	40	92	25	200	70	15

12

* Design Factor based on EN 13155 and ASME B30.20. Also available in D-Type (maximum jaw opening of 300mm) and H-Type (maximum jaw opening of 420mm).



IPPE10(E)



IPPE10NM