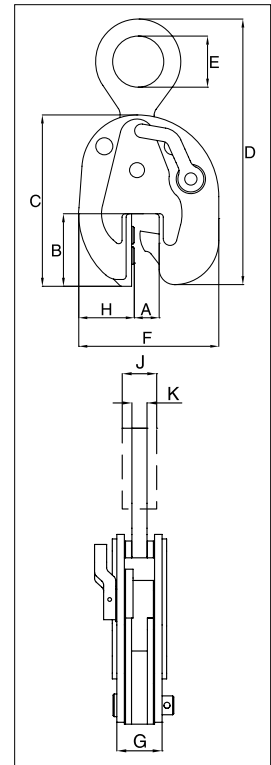


IPSBUUZ



**For Lifting, Transferring and Placing Complete Shipsections**

- Available in capacities of 4.5 through 22.50 metric tons (higher Working Load Limits are available upon request).
- Wide variety of jaw openings available: HP 100mm to HP 430mm.
- Welded alloy steel body for strength and smaller size. Forged alloy components, where required.
- Individually Proof Tested to 2 times the Working Load Limit with certification.
- Company name (Crosby IP), logo, Working Load Limit and jaw opening permanently stamped on body.
- Each product is individually serialized, with the serial number and Proof Load test date stamped on body. User manual with test certificate is included with each clamp.
- Maintenance and repair kits are available.



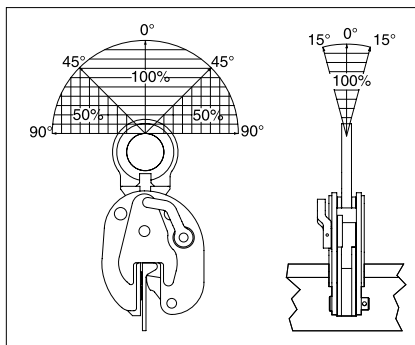
**Model IPSBUUZ / IPSBUSUZ: With Universal Hoisting Eye**  
**Model IPSBUZ / IPSBUSZ: With Fixed Hoisting Eye**

Load Rating

Model	Working Load Limit (t)*	Stock No.	Weight Each (kg)	Dimensions (mm)									
				Profile A†	B	C	D	E	F	G	H	J	K
IPSBUUZ	4.5	2705771	15.5	HP 100-160	107	252	450	75	206	96	82	36	20
IPSBUUZ	9	2705773	43.0	HP 100-160	105	274	491	80	248	123	104	44	20
IPSBUSUZ	4.5	2705772	38.0	HP 180-430	227	428	635	75	377	95	128	-	20
IPSBUSUZ	9	2705774	69.0	HP 180-430	227	478	718	80	425	118	155	44	25
<b>With fixed hoisting eye</b>													
IPSBUZ	4.5	2705721	13.5	HP 100-160	107	252	382	75	206	96	82	-	20
IPSBUZ	9	2705723	23.0	HP 100-160	105	274	461	80	248	123	104	-	30
IPSBUSZ	4.5	2705722	35.8	HP 180-430	227	428	592	75	377	95	128	-	20
IPSBUSZ	9	2705724	68.0	HP 180-430	227	478	663	80	425	118	155	45	25
IPSBUSZ	15	2705728	64.0	HP 180-430	226	485	690	88	401	100	135	49	25
IPSBUSZ	22.5	2705730	100	HP 180-430	224	543	740	90	470	116	185	-	30

Design Factor based on EN 13155 and ASME B30.20. † Profile A is the type of Holland Bulb (HP) style and size material.

IPSBUZ



IPSBUUZ

