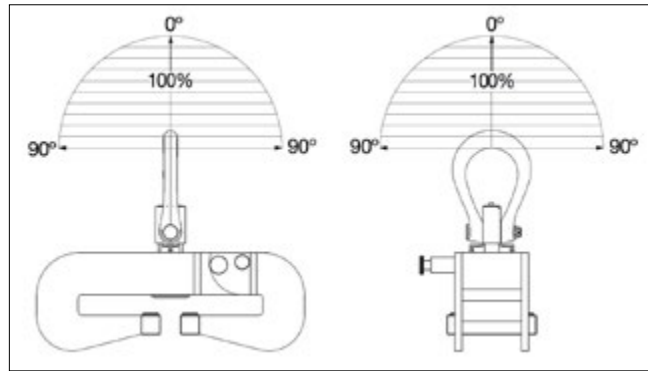
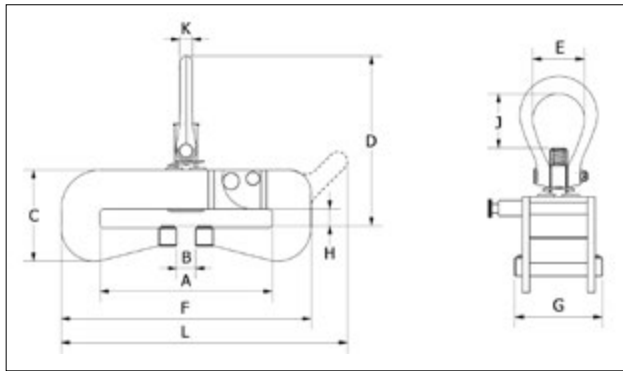


IPTKA



- Maintains full WLL at angles up to 90°.
- Bail swivels 360° and pivots 180°.
- Easy to close and open with a hinged body with self-locking device.
- Easy to handle with handgrips.
- No interference or space limitations when tightening the clamp.
- Multi-purpose hoisting eye to be used for tightening as well as for hoisting.
- Light weight design.
- All parts are replaceable.
- Maintenance and repair kits are available.
- Can be used for a wide range of profile sizes.



IPTKA Universal Beam Clamp

Load Rating

Model	WLL (t)	Stock No.	Weight (kg)	Dimensions (mm)										
				A	B	C	D	E	F	G	H	J	K	L
IPTKA	3	2707111	15.9	100 - 205	34	149	307	89	310	130	6 - 26	94	22	369
IPTKAJ1	3	2707116	14.2	70 - 125	24	134	297	89	257	130	6 - 26	94	22	315
IPTKAJ2	3	2707117	16.0	100 - 205	54	164	322	89	310	130	20 - 40	94	22	369
IPTKA	5	2707065	23.3	100 - 305	34	164	306	89	450	150	6 - 26	94	22	-
IPTKAJ1	5	2707114	16.9	70 - 125	24	139	296	89	297	150	6 - 26	94	22	336
IPTKAJ2	5	2707115	23.2	100 - 305	74	179	321	89	450	150	20 - 40	94	22	-
IPTKA	10	2707118	62	140 - 405	74	234	450	121	600	220	12 - 42	152	30	-
IPTKA	15	2707124	71	140 - 405	74	244	450	121	630	220	12 - 42	152	30	-

