

Overload Detection

Ron 1000 Hook Type Overload Detector

TECHNICAL SPECIFICATIONS



Safety Factor: 5:1. Each system proof-loaded to 200% of capacity (certified).

Switching Nature: Normally open and normally closed.

Rating: 0.5A @ 50 VDC, 0.5A @ 125 VAC.

Life Expectancy: Electrical: over 1 million operations. Mechanical: over 5 million operations.

Environment: Weatherproof, NEMA 4, IP 65.

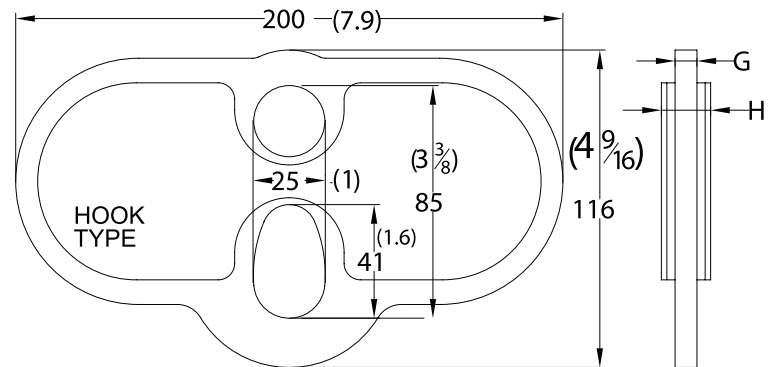
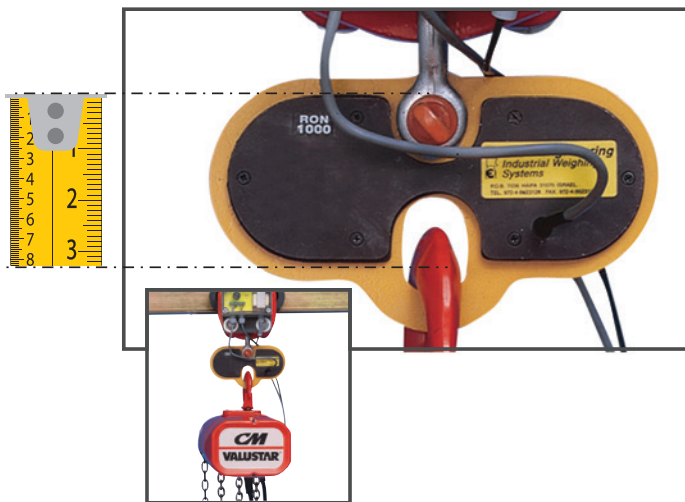
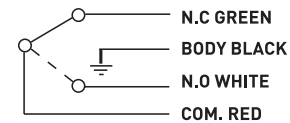
Overload Detection Point: Default: 100% to 110% of capacity.

Temperature Range: -4°F to +175°F (-20°C to + 80°C).

Cable Length: 9.5' (3m).

Material: High strength steel.

Wiring:



Cat no.	Capacity	G Max		H Max	
	tons	mm.	inch	mm.	inch
H-002	0.25	7	$\frac{5}{16}$	19	$\frac{3}{4}$
H-005	0.5	7	$\frac{5}{16}$	19	$\frac{3}{4}$
H-007	0.75	7	$\frac{5}{16}$	19	$\frac{3}{4}$
H-008	0.8	7	$\frac{5}{16}$	19	$\frac{3}{4}$

Cat no.	Capacity	G Max		H Max	
	tons	mm.	inch	mm.	inch
H-01	1	7	$\frac{5}{16}$	19	$\frac{3}{4}$
H-012	1.25	7	$\frac{5}{16}$	19	$\frac{3}{4}$
H-015	1.5	9	$\frac{3}{8}$	21	$\frac{13}{16}$
H-016	1.6	9	$\frac{3}{8}$	21	$\frac{13}{16}$

OPTIONS



> Additional detection point.

> The company reserves the right to make changes without notice.