

## Overload Detection

# Ron 1000 Standard Type Overload and / or Underload Detector

### TECHNICAL SPECIFICATIONS



**Safety Factor:** 5:1. Each system proof-loaded to 200% of capacity (certified).

**Switching Nature:** Normally open and normally closed.

**Rating:** 0.5A @ 50 VDC, 0.5A @ 125 VAC.

**Life Expectancy:** Electrical: over 1 million operations. Mechanical: over 5 million operations.

**Environment:** Weatherproof, NEMA 4, IP 65.

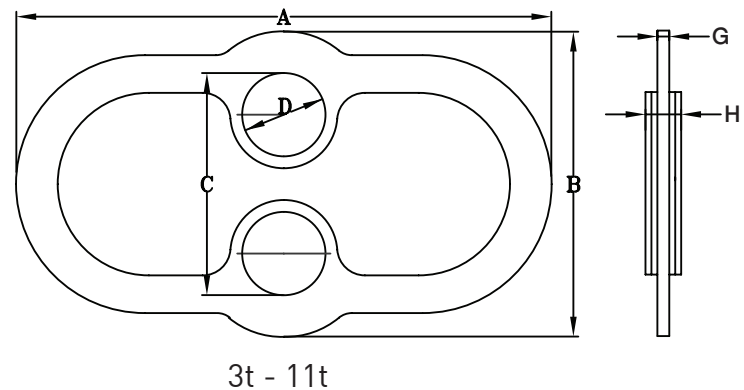
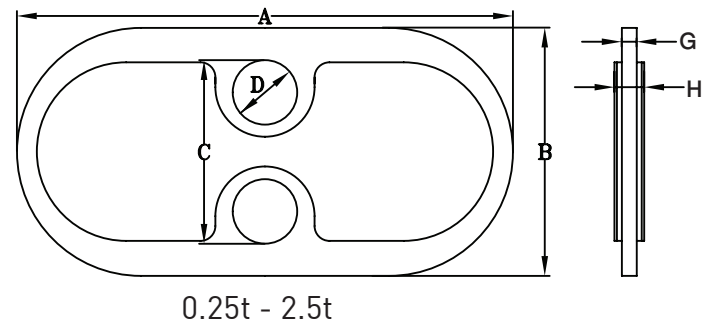
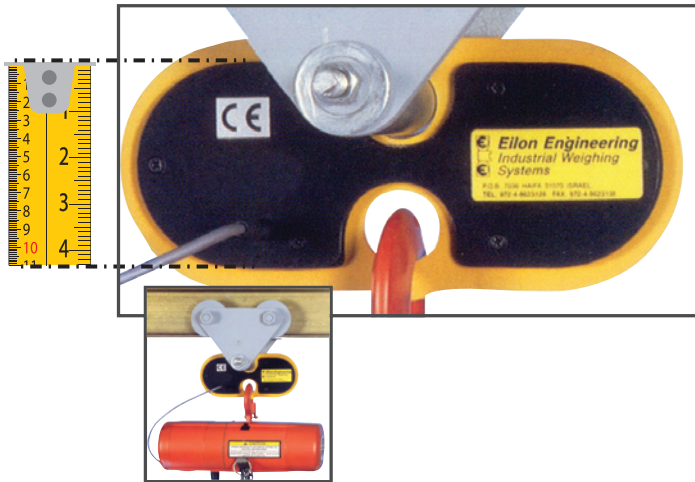
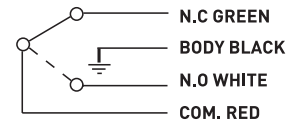
**Overload Detection Point:** Default: 100% to 110% of capacity.

**Temperature Range:** -4°F to +175°F [-20°C to + 80°C].

**Cable Length:** 9.5' (3m).

**Material:** High strength steel.

**Wiring:**



Cat no.	Capacity	G Max		H Max		A Max		B Max		C Max		D Max	
	ton	mm.	inch	mm.	inch	mm	inch	mm	inch	mm	inch	mm	inch
S-002	0.25	0.2	0.5	5	16	30	1.2	26	1	28	1.1	10	0.4
S-005	0.50	0.5	1	5	16	30	1.2	26	1	28	1.1	10	0.4
S-007	0.75	0.5	1	5	16	30	1.2	26	1	28	1.1	10	0.4
S-008	0.8	1	2	5	16	30	1.2	26	1	28	1.1	10	0.4
S-01	1	1	2	5	16	40	1.6	33	1.3	36	1.4	13	0.5
S-012	1.25	1	2	5	16	40	1.6	33	1.3	36	1.4	13	0.5
S-015	1.5	1	2	5	16	40	1.6	33	1.3	36	1.4	13	0.5
S-016	1.6	2	5	5	16	40	1.6	33	1.3	36	1.4	13	0.5
S-02	2	2	5	5	16	50	2	43	1.7	34	1.4	16	0.6
S-025	2.5	5	10	5	16	82	3.2	68	2.7	58	2.3	25	1
S-03	3	5	10	5	16	82	3.2	68	2.7	58	2.3	25	1
S-032	3.2	5	10	5	16	104	4.1	82	3.2	64	2.5	33	1.3
S-04	4	10	20	5	16	137	5.3	111	4.3	79	3.1	41	1.6
S-05	5	10	20	5	16	169	6.6	146	5.7	99	3.9	51	2
S-06	6	10	20	5	16	169	6.6	146	5.7	99	3.9	51	2
S-07	7	2	5	5	16	40	1.6	33	1.3	36	1.4	13	0.5
S-08	8	2	5	5	16	50	2	43	1.7	34	1.4	16	0.6
S-09	9	5	10	5	16	82	3.2	68	2.7	58	2.3	25	1
S-10	10	5	10	5	16	82	3.2	68	2.7	58	2.3	25	1
S-11	11	5	10	5	16	104	4.1	82	3.2	64	2.5	33	1.3

> The company reserves the right to make changes without notice.

## OPTIONS



> Additional detection point.