

Load Monitoring - Crane Scales

Ron 3025 Crane Scale with 1"/25mm Display

ADVANTAGES



5 year warranty

Portable: Lightweight and small.

Highly Accurate: $\pm 0.1\%$ of full range - important for early overload detection.

Heavy-Duty: Aluminum housing and optional protective cage.

Protective Cage: High quality cage mounted on rubber cushions for protection against external impacts.

Excellent battery life: Up to 2000 Hours (3x AA batteries).

Quality Materials: Exclusive use of high strength aerospace quality steel for load cell bodies.

Fatigue rated: All Eilon Engineering load cells are Fatigue Rated according to ASME BTH-1 and IEC 61508. Fatigue Rated means an unlimited number of load cycles (Provided capacity is not exceeded).

Robust: Heavy duty designs with shock absorbing mechanisms.

Minimal Headroom loss: Smallest on the market - important for indoor applications.

Short delivery time: In most cases 48-72 hours.

Remote Control: Optional.

More than 40 years in the market with repeat customers such as NASA, Boeing, Cirque du Soleil, Disney, GE, Lockheed Martin, other Fortune 500 companies, as well as numerous small businesses.



TECHNICAL SPECIFICATIONS



Safety factor: Load cell body - 5:1. Hook - at least 4:1

Accuracy: 0.1% of full range.

Calibration: User calibration. Initial factory calibration, fully traceable (certified).

Load Cell Material: high-strength, aerospace quality, alloy steel.

Proof Load: Each system proof-loaded to 200% of capacity (certified)

Display: 5/6 digits, 1" (25mm) liquid crystal display. Overload warnings (100%/130%), Max (peak hold), low battery indication, Gross/Net. Refresh rate 1Hz.

Sampling Rate: 200 per second.

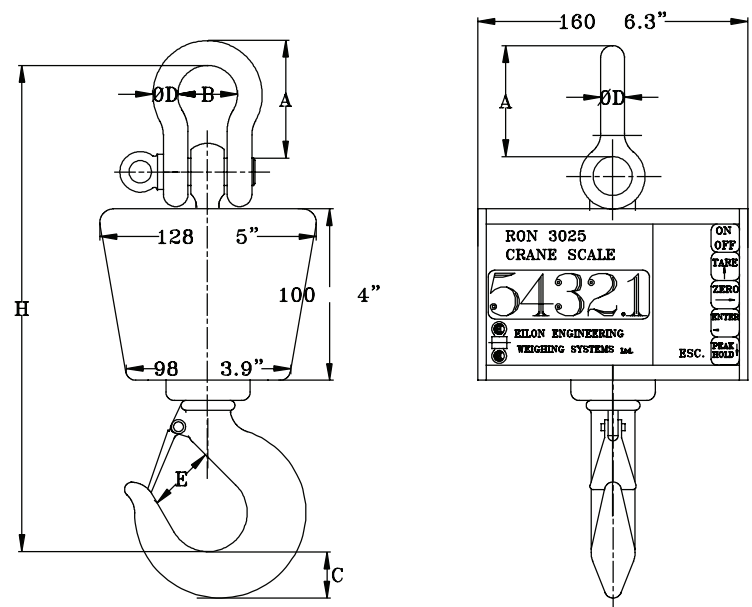
Functions: Zero. Tare. Battery charge level indication. Low battery warning. Max. (peak hold). Sleep mode, wakes automatically when loaded.

Units: User selectable units (metric tons, short tons, kgs., lbs., Newtons, Deca-Newtons, Kilo-Newtons).

Housing: Extruded Aluminum.

Temperature Range: -4°F to $+158^{\circ}\text{F}$ (-20°C to $+70^{\circ}\text{C}$).

Environmental: IP65



Cat no.	Capacity		Resolution		A		B		C*		Ø D		E*		H	
	ton	kg.	lbs	mm.	inch	mm.	inch	mm.	inch	mm.	inch	mm.	inch	mm.	inch	
CW-005	0.5	0.2	0.5	30	1.2	26	1	28	1.1	10	0.4	25	1	335	13.2	
CW-001	1	0.5	1	30	1.2	26	1	28	1.1	10	0.4	25	1	335	13.2	
CW-012	1.25	0.5	1	30	1.2	26	1	28	1.1	10	0.4	25	1	335	13.2	
CW-016	1.6	1	2	30	1.2	26	1	28	1.1	10	0.4	25	1	335	13.2	
CW-02	2	1	2	30	1.2	26	1	28	1.1	10	0.4	25	1	335	13.2	
CW-025	2.5	1	2	40	1.6	33	1.3	36	1.4	13	0.5	34	1.3	400	15.7	
CW-03	3	1	2	40	1.6	33	1.3	36	1.4	13	0.5	34	1.3	400	15.7	
CW-032	3.2	2	5	40	1.6	33	1.3	36	1.4	13	0.5	34	1.3	400	15.7	
CW-05	5	2	5	50	2	43	1.7	34	1.4	16	0.6	41	1.6	423	16.7	
CW-08	8	5	10	69	2.7	58	2.3	48	1.9	25	1	43	1.7	500	19.7	
CW-10	10	5	10	82	3.2	68	2.7	58	2.3	25	1	56	2.2	554	21.8	
CW-12	12.5	5	10	82	3.2	68	2.7	58	2.3	25	1	56	2.2	554	21.8	

> The company reserves the right to make changes without notice.

* C & E dimensions subject to change. For current dimensions - contact us.

OPTIONS



- > Shock absorbing cage for protection against external impacts
- > 1 or 2 user-adjustable set points
- > Additional 0.5"/12 mm LCD display with cable connection or wireless
- > Additional 1"/25 mm LCD display with cable connection or wireless
- > Additional 2"/50 mm LCD display with cable connection or wireless
- > Additional 5"/125 mm LED display with cable connection or wireless
- > Analog output: 0 to 3V
- > Analog output: 4 to 20 mA
- > Dampened display for unstable load
- > Automatic/Manual Data Logger - Up to 50,000 measurements
- > Remote Control
- > Number of measurements per second: 1, 2, 3, factory set
- > Real-time clock: date, hour, minute, second adds time stamp to RS-232 output
- > Rechargeable batteries with an external charger
- > RS-232 - continuous or on demand data output, user-selectable
- > RS-485 - continuous or on demand data output, user-selectable
- > Totalizer
- > Totalizer with Data Logging
- > Wireless communication to additional display or PC
- > USB